



RET 24 and RET 230



The RET 230 and RET 24 are a range of electronic room thermostats offering improved thermal performance and status indication compared to that of electro-mechanical equivalents.

The range comprises of mains voltage versions, RET 230, and low voltage 24 V versions, type RET 24.

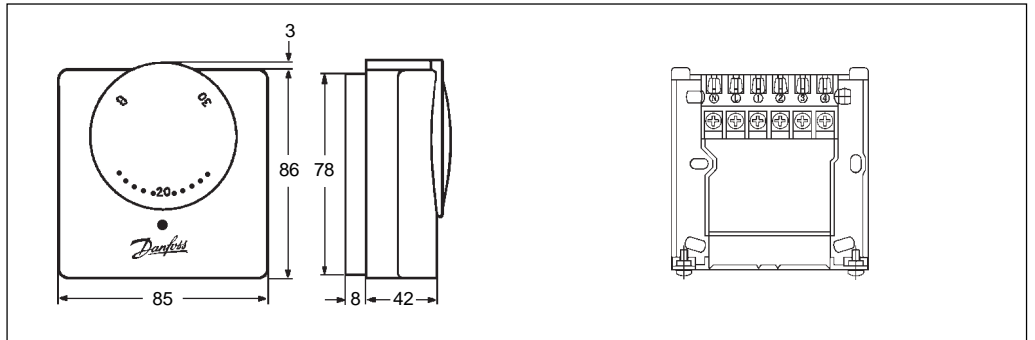
For ease of mounting, RET is based upon a wallplate construction which is fitted and wired before the thermostat is mounted.

Additional features available in the RET range include:

- Electronic accelerator heater
- LED status indication
- Night set-back option
- Voltage free outputs

Please refer to the table below for details.

Dimensions



Ordering Codes and Data

RET Electronic Room Thermostats							
Type	Code No.	Operating Voltage	Electronic Accelerator	Night Set-back	LED Status Indicators Power On (1)	Stat Calling (2)	Comment
RET24	087N7014	24 Vac	●			●	
RET24VF	087N7016	24 Vac	●			●	Volt Free Contacts
RET24NSB	087N7018	24 Vac	●	●		● (4)	Night set-back is achieved by using external time control
RET230	087N7004	220/240 Vac	●			●	
RET230L	087N7006	220/240 Vac	●		●	●	
RET230VF	087N7008	220/240 Vac	●			●	Volt Free Contacts
RET230NSB	087N7010	220/240 Vac	●	●	● (3)	●	Night set-back is achieved by using external time control

(1) 'Power On' indicator is lit when power is applied to thermostat (left hand LED).

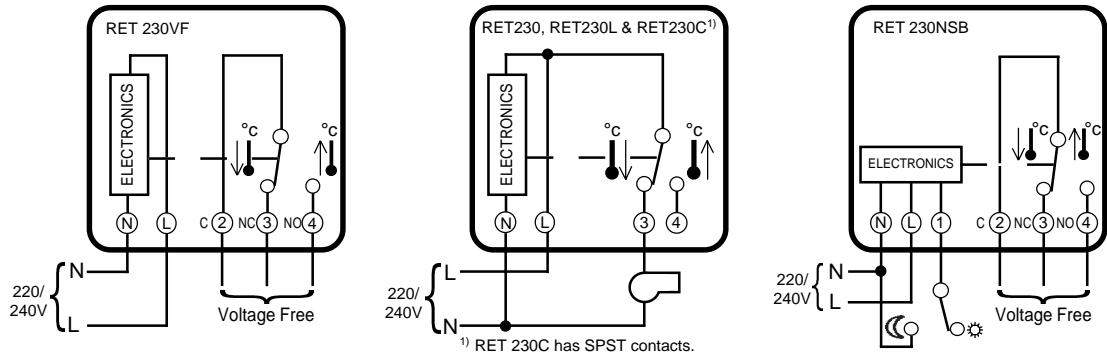
(2) 'Calling' indicator is lit when thermostat relay is closed and calling for heat (right hand LED).

(3) In Night Set-Back version, 'Power On' LED changes colour during night set-back period (left hand LED).

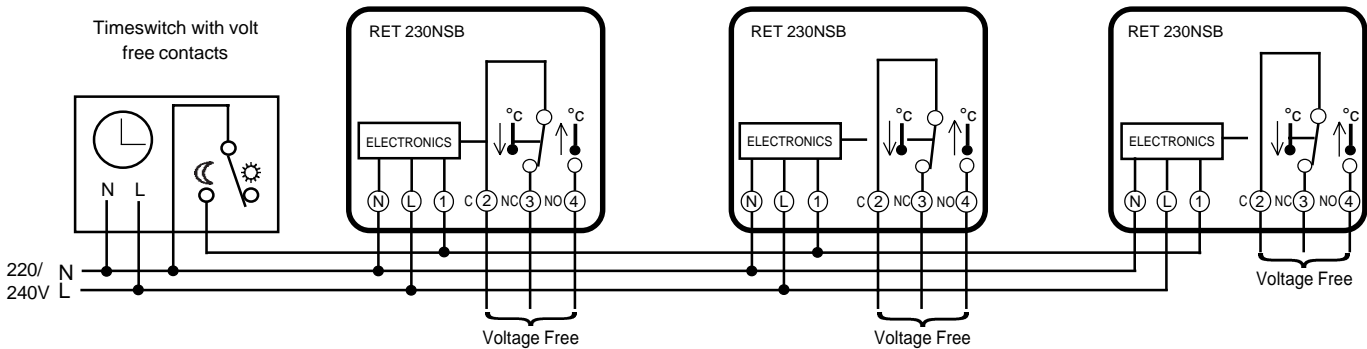
(4) In RET 24NSB mode, left hand LED is lit during night set-back period.

Specifications	RET24	RET24VF RET24NSB	RET230F	RET230C	RET230 RET230L	RET230VF RET230NSB
Switching Differential	< 1K	< 1K	< 1K	< 1K	< 1K	< 1K
Temperature Range	5 - 30°C	5 - 30°C	5 - 10°C	5 - 30°C	5 - 30°C	5 - 30°C
Operating Voltage	24Vac	24Vac	220/240Vac	220/240Vac	220/240Vac	220/240Vac
Switch Type (common linked int.)	SPDT	-	SPST	SPST	SPDT	-
Switch Type (voltage free contacts)	-	SPDT	-	-	-	SPDT
Contact Current Rating	3(1)A	3(1)A	3(1)A	3(1)A	3(1)A	3(1)A
Locking & Limiting Feature	Yes	Yes	Yes	Yes	Yes	Yes
Dimensions (mm)	86 High 85 Wide 42 Deep	86 High 85 Wide 42 Deep	86 High 85 Wide 42 Deep	86 High 85 Wide 42 Deep	86 High 85 Wide 42 Deep	86 High 85 Wide 42 Deep

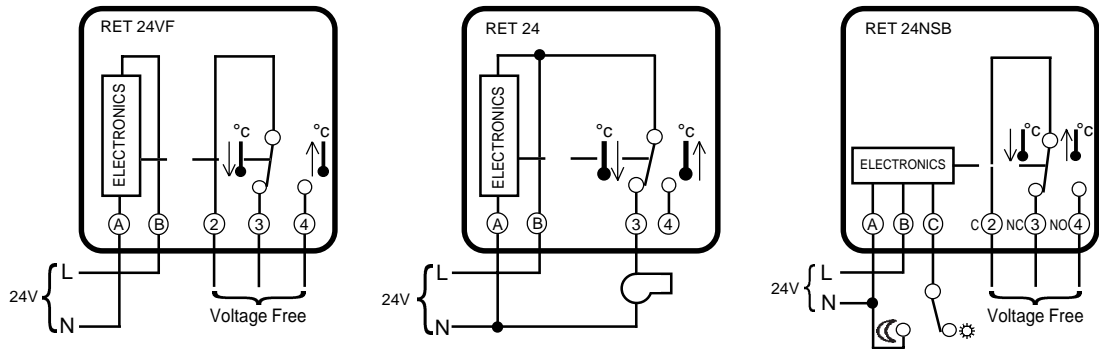
RET 230



Typical Application - Multiplezones - RET230's NSB controlled by one timeswitch.



RET 24



Typical Application - Multiplezones - RET24's NSB controlled by one Timeswitch.

